

Description

Tank Sensors for both fuel and water provides highly accurate level measurement for a wide variety of applications, including those in severe environments.

Measurement is done using "hall effect" with reed switches positioned inside the level tube.

A float with built-in magnets then triggers the reed relays generating a potential - free resistance with an ohm value that increases or decreases. The float is the only moving part of the sensors, thereby minimising potential mechanical failures. All sensors are fully insulated to protect against voltage inside the tank.

The level sensors are made of 316 stainless steel and can be mounted in almost any tank shape either by standard 5-hole configuration.



Product Highlights

- * Widely used in fuel, water, kerosene and chemical tanks
- * OEM quality, widely used on automotive and marine OEMs
- * Reed switch, steady output signal
- * Simple and strong structure , Advanced corrosion resistance
- * Long using life, anti-vibration,anti-explosion
- * High quality fuel level senser
- * Economical level sensing solution, long service lifespan.
- * Without limitation of environment,length can be customized
- * Damping cover is optional, and assembled with C-ring, easy for installation

Specifications

Material: SUS 316 Stainless Steel

Length: 400mm

Mounting Methods: Standard SAE 5 hole pattern

Protection Rank: IP67

Resolution Range: 10-40mm

Operational Temperature: -40°F ~ +185°F(-40°C-+85°C)

Accuracy:5%

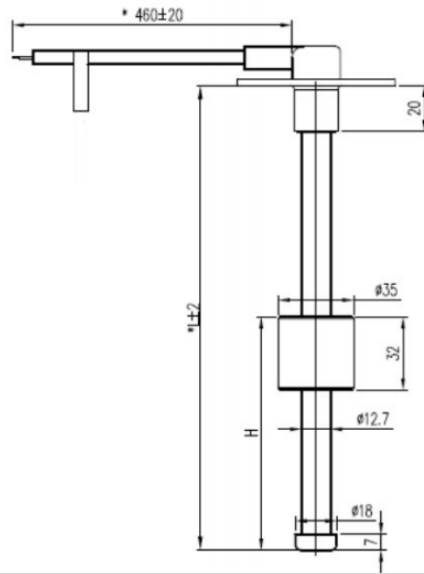
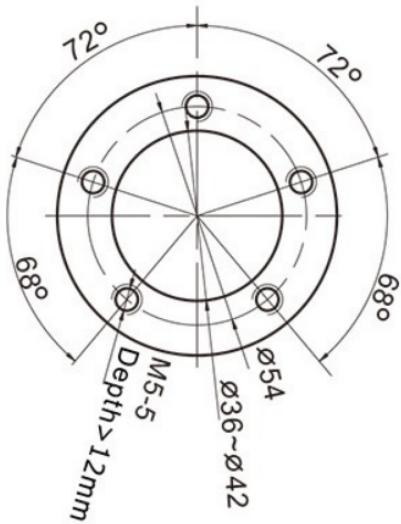
Output Type:Resistance

Current range: 0 to 20mA or 4 to 20mA

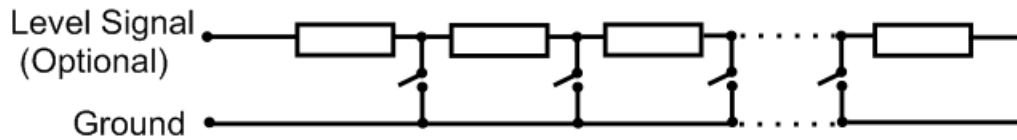
Voltage range: 0.5 to 4.5V or 0 to 5V (can be customized)

Option: high/low alarm

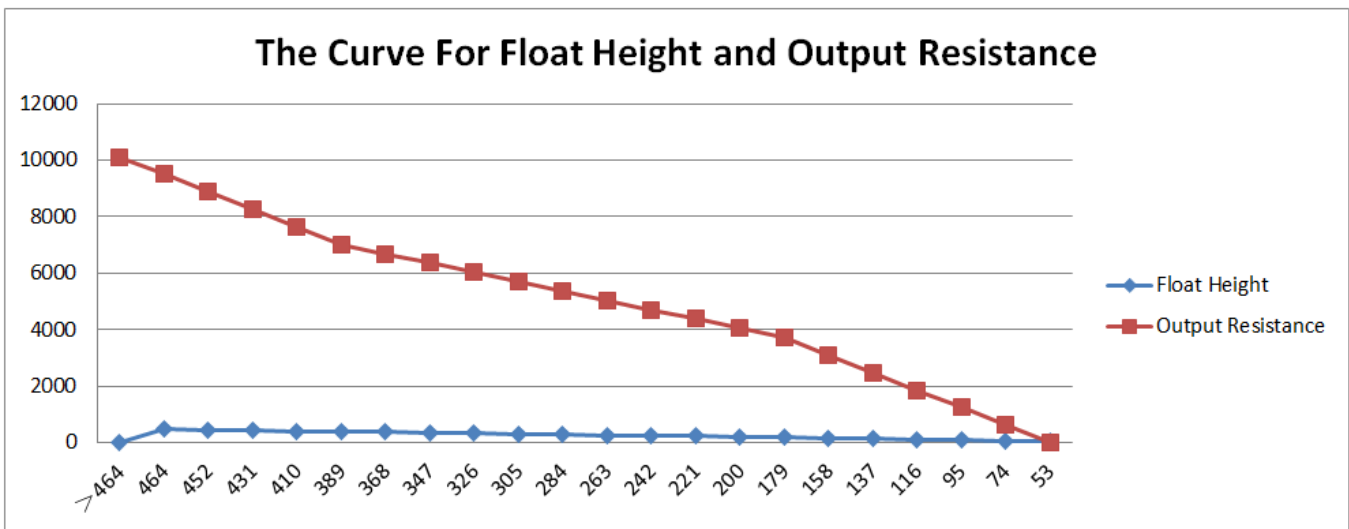
Dimensions



Wiring Diagram



Resistance Versus Position



Test methodes

Step1: Adjust the multimeter to ohm



Step2: Connect the ohm table to the product, as shown in the figure



Step3: Set the float height to the lowest read resistance



Step4: Adjust the float height to the highest read resistance value, as shown

