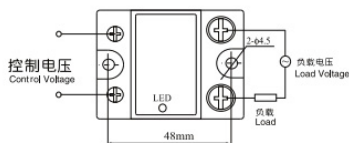
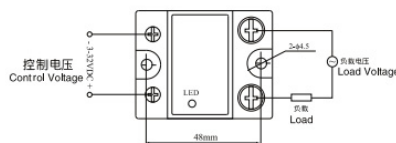


Classification	AC Solid State Series		DC Solid State Series	
Model	LRSSR-AA	LRSSR-DA	LRSSR-DD	
(V) Load Voltage	28~285 36~530	28~285 36~530 48~660	50,100 300,400	50,600,700 800,900
(A) Load Current	5,10,20,30,40,50,60,80,100		5,10,20,30 40,50,60,80,100	5,10,20,30,40
(Vac)Dielectric Strength	2500			
(MΩ)Insulation Resistance	100			
(Vdc) Control Voltage	90-265	3-32	3-32	
(mA)Control Current	≤10	3-35	5-20	
(V)On Voltage Drop	≤10	≤1.5	≤2.5	
(mA)off Leakage Current	≤4	≤2	≤1	
(Hz)Frequency Range	47~63			
(ms)on-off Time	≤10		≤0.8	
Action State Indication	LED			
Ambient Temoerature	-30℃+75℃			
Mounting Method	Bolt Fixation			
Same Reference	SSR,G3NA-420B ,LSAP3810A, LSAP3810A,LSAP2210A		SSR,JGX-1572F,JGX-1554F, JGX-1598F,JG3FA,JGX-54FA	
Directions	Load Current Resistance Above DC 5A Must Be Set Radiator			

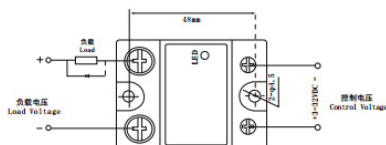
LRSSR-AA Connection diagram



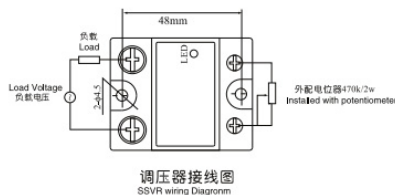
LRSSR-DA Connecting diagram



LRSSR-DD Connecting diagram

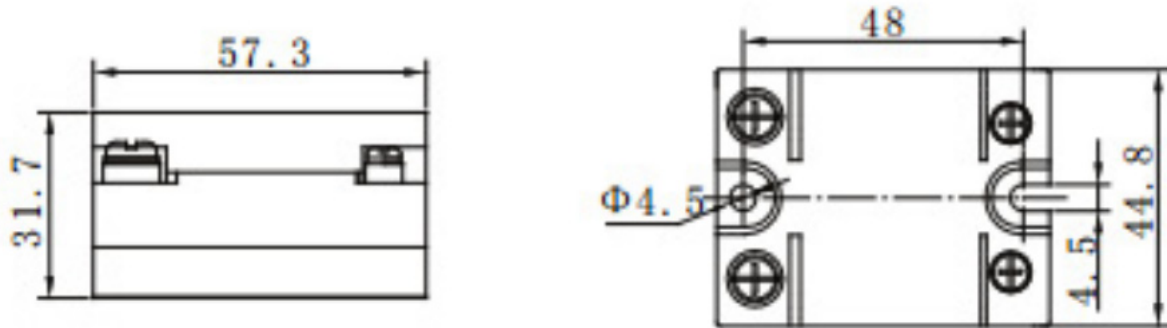


LRSSVR Connecting diagram

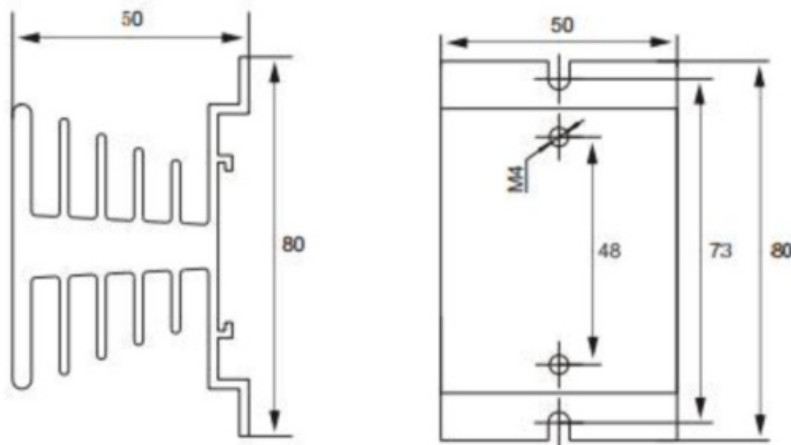


Remark: Thermal silicone grease should be spread between solidly and radiator for heat rejection

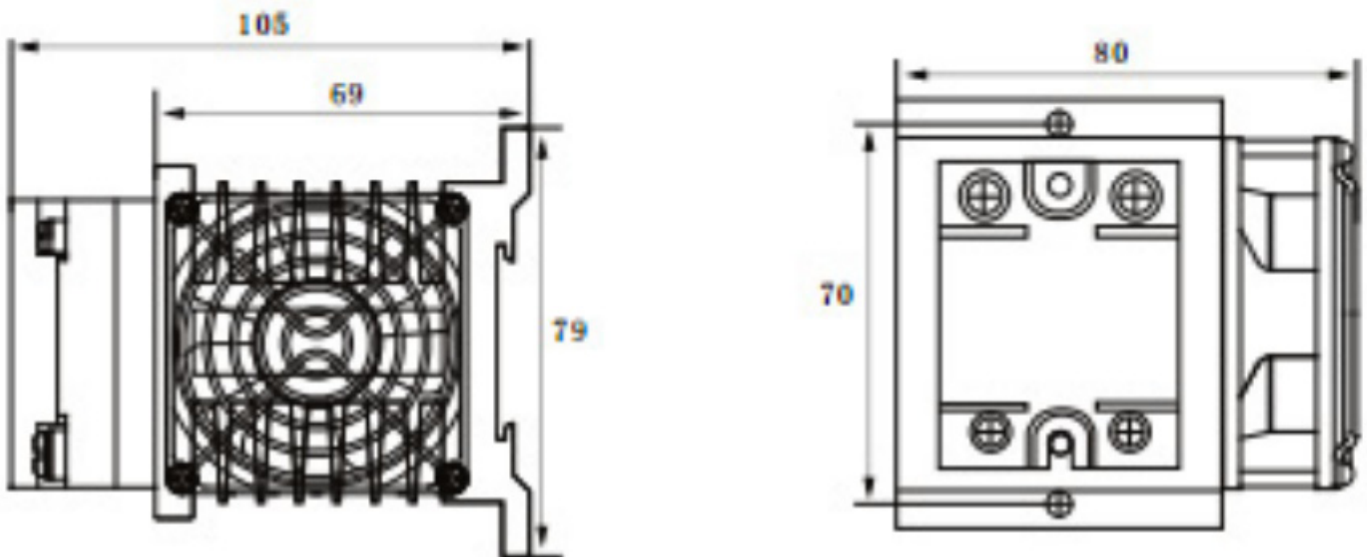
LRSSR Series dimension and installtion dimensions



5A~25A Dimensions of the equipped radiator



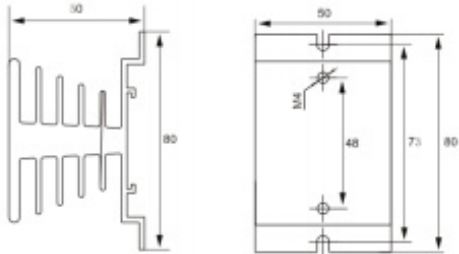
40A~100A Dimensions of the equipped radiator



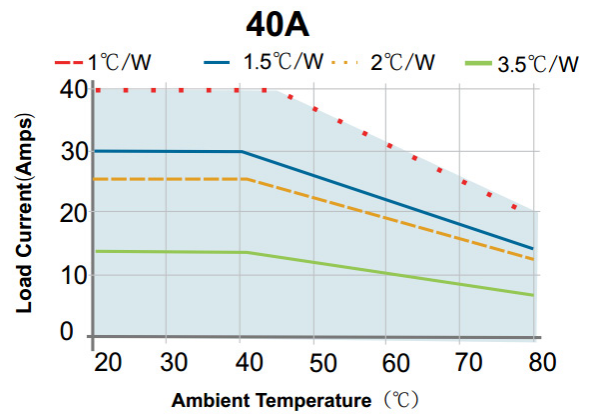
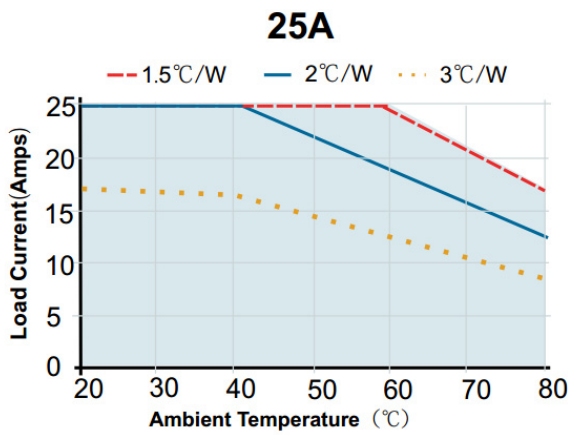
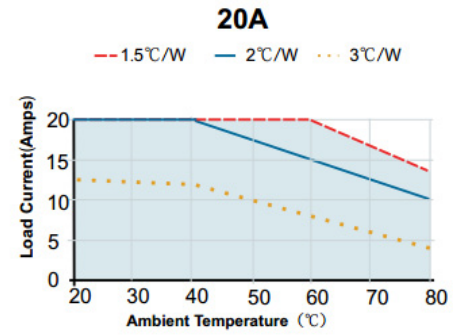
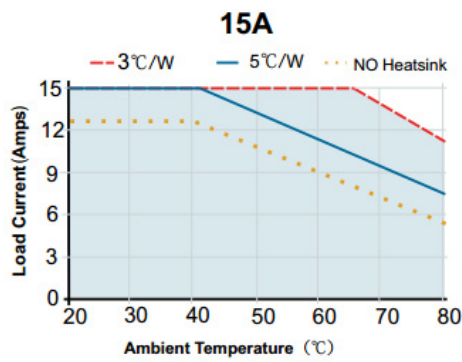
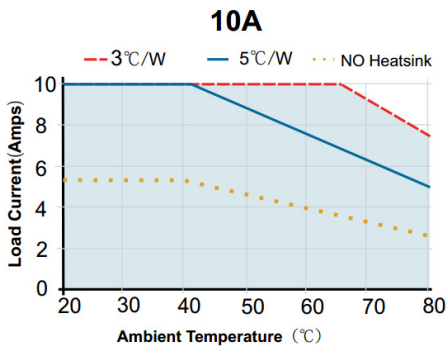
Heat Sink For LRSSR

Dimensions 50 x 80 mm heat sink for 5A~25A relay

UNIT: mm



Power Rating With & Without Heat Sink



**NRNT2.E256962**
Switches, Industrial Control - Component[Page Bottom](#)**Switches, Industrial Control - Component**[See General Information for Switches, Industrial Control - Component](#)**ZHEJIANG LIERD RELAYS ENTERPRISE CO LTD**

E256962

NO 6 ZHENXING RD
XINGUANG AVE
LIUSHI TOWN
YUEQING, ZHEJIANG 325604 CHINA

Relays, Cat. No. L followed by HH52P, HH53P, HH54P, HH62P or JQX-13F, followed by 2A, 2B, 2C, 3A, 3B, 3C, 4A, 4B and 4C, followed by 3A, 5A and 10A, followed by 6VDC, 9VDC, 12VDC, 18VDC, 24VDC, 36VDC, 48VDC, 60VDC, 110VDC, 6VAC, 9VAC, 12VAC, 18VAC, 24VAC, 36VAC, 48VAC, 60VAC, 110VAC and 220VAC, followed by 0.9W(DC) and 1.2VA(AC), followed by none or L.

Solid state relay, for use in industrial control applications, Type LR SSR-DA.

LIRRDMarking: Company name or "E256962" or trademarks or  and catalog designation.[Last Updated](#) on 2006-05-30[Questions?](#)[Print this page](#)[Terms of Use](#)[Page Top](#)

◆ 2014 UL LLC

When the UL Leaf Mark is on the product, or when the word "Environment" is included in the UL Mark, please search the [UL Environment database](#) for additional information regarding this product's certification.

The appearance of a company's name or product in this database does not in itself assure that products so identified have been manufactured under UL's Follow-Up Service. Only those products bearing the UL Mark should be considered to be Certified and covered under UL's Follow-Up Service. Always look for the Mark on the product.

UL permits the reproduction of the material contained in the Online Certification Directory subject to the following conditions: 1. The Guide Information, Assemblies, Constructions, Designs, Systems, and/or Certifications (files) must be presented in their entirety and in a non-misleading manner, without any manipulation of the data (or drawings). 2. The statement "Reprinted from the Online Certifications Directory with permission from UL" must appear adjacent to the extracted material. In addition, the reprinted material must include a copyright notice in the following format: "© 2014 UL LLC".