

# Replacement Motors For Zone Valve

## Description

The VG Series Valves are designed for hot water, chilled water, or steam control in HVAC systems. The globe design exhibits excellent controllability with two-way equal percentage and three-way linear response. The valves come in two-way or three-way NPT thread configurations. All the valves can be fitted with many different control actuators (both electric and pneumatic) and with a variety of control signals, spring ranges, and failsafe operation.



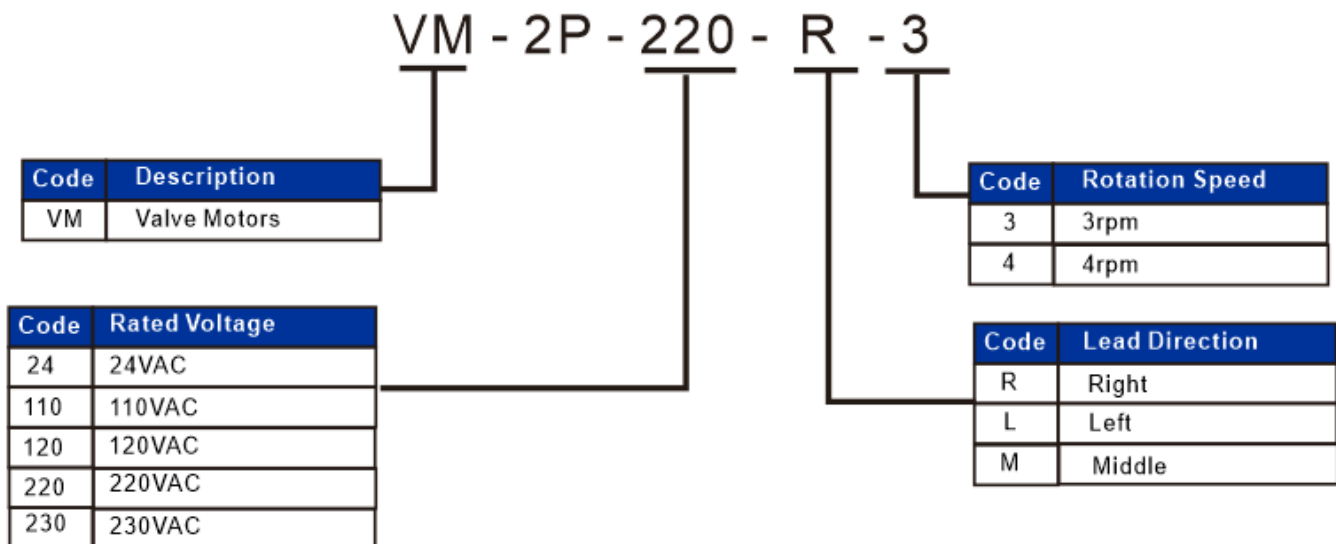
## Application

- Motorized valves of central air-conditioning system
- Damper actuators
- Driving actuators

## Characteristics

- Fully sealed water-proof design
- Built-in reducer, large torque output
- High temperature durability (Class B)
- Reliable and long life

## Part Number Scheme

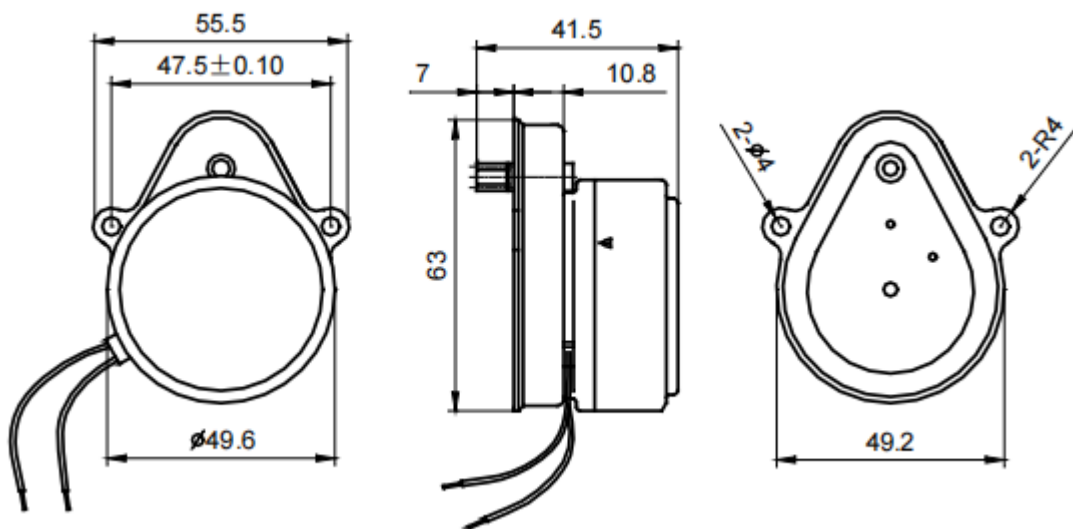


# Replacement Motors For Zone Valve

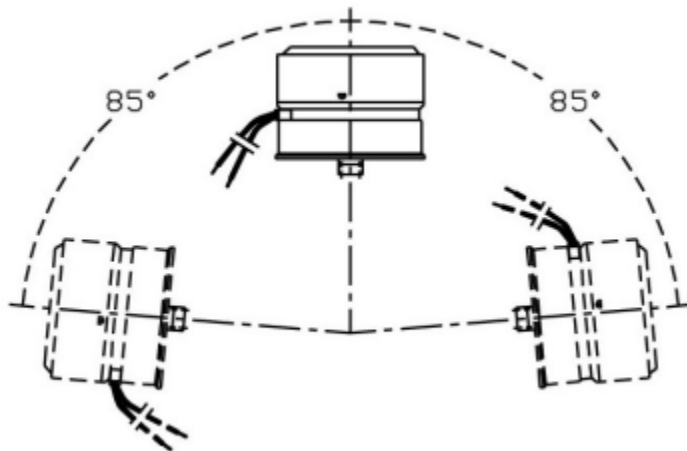
## Specifications

Model	VM-2P-24-R-3 VM-2P-110-R-3 VM-2P-2120-R-3 VM-2P-220-R-3 VM-2P-230-R-3
Rated voltage	24 Vac; 110 Vac; 120Vac; 220 Vac or 230 Vac
Rated Frequency	50/60Hz
Rated power	6.5W
Rotation speed	3RPM 50Hz / 4RPM 60Hz
Insulation class	Class B (130°C)
Environmental Temperature	-25°C~+40°C

## Dimension(mm)



## Installation



# Replacement Motors For Zone Valve

