

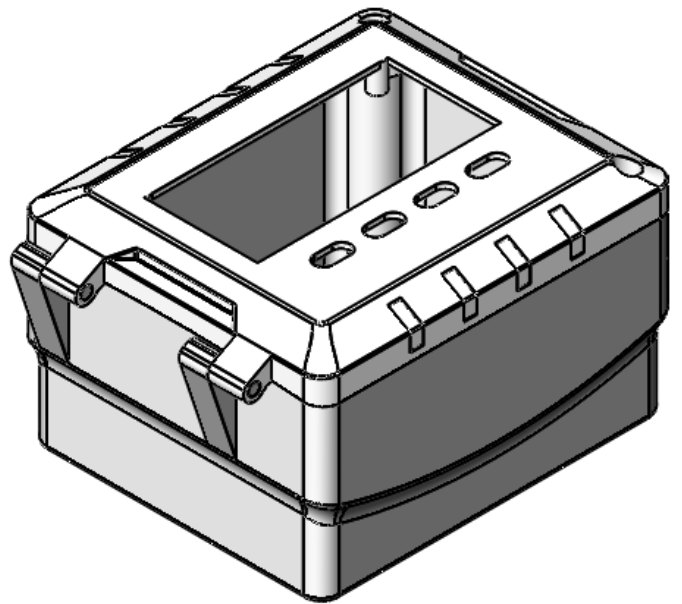
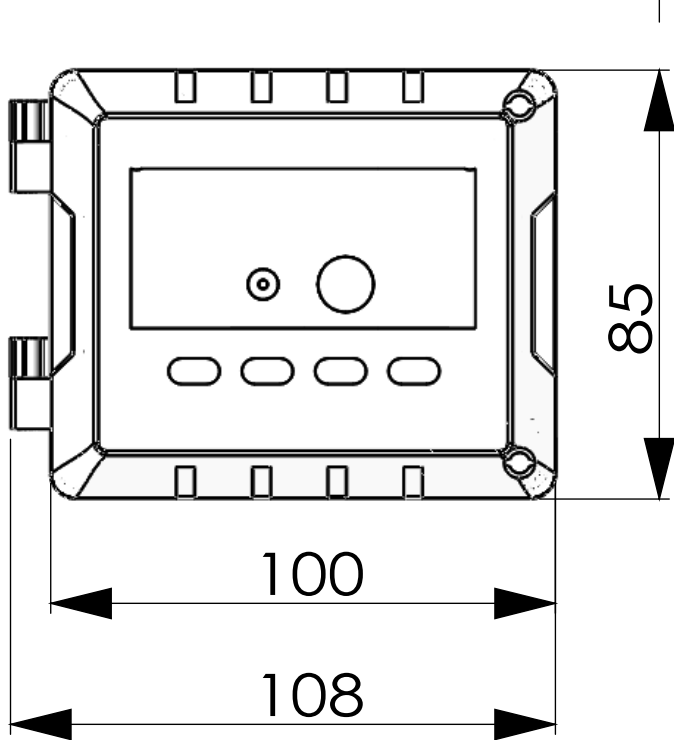
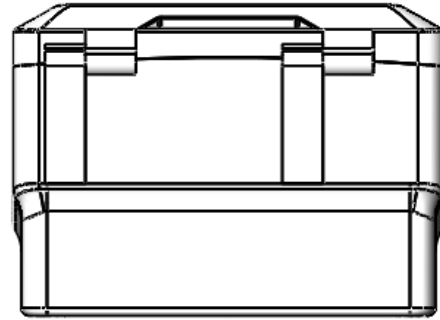
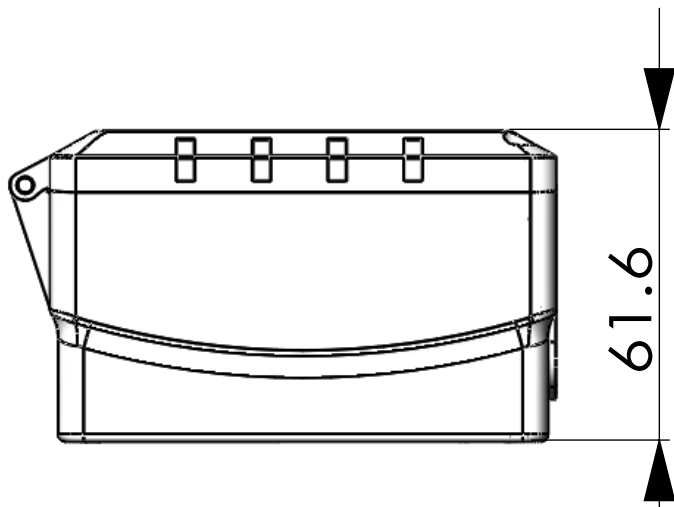
Plastic Enclosures

Dimensions:

ENC-HUM



Unit:mm

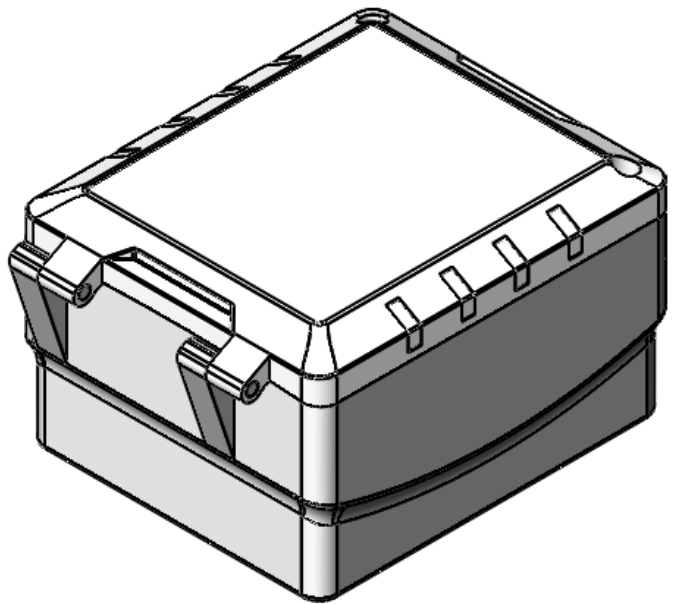
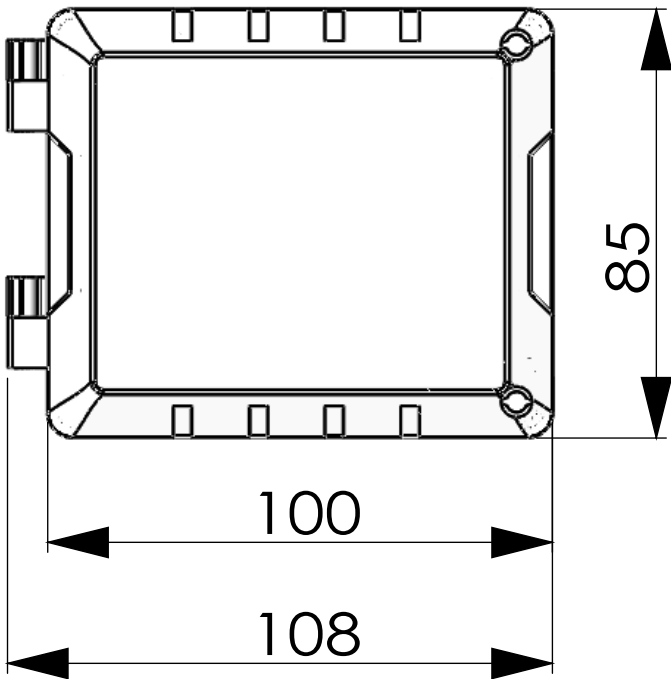
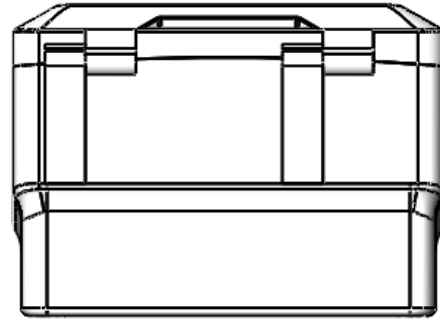
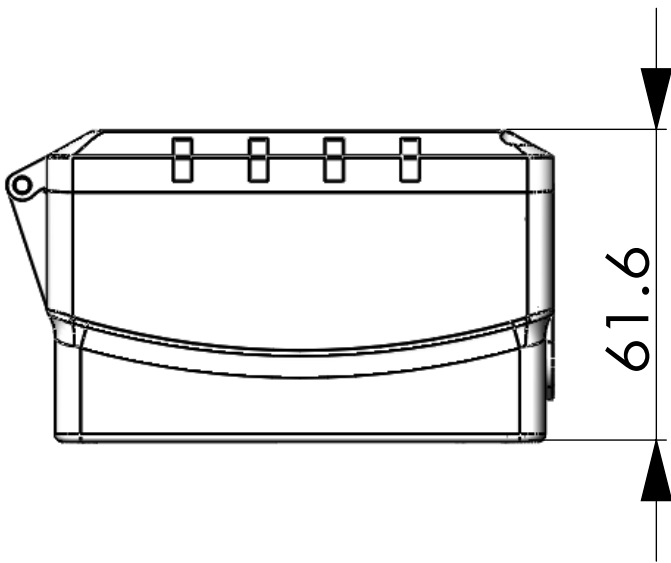


Plastic Enclosures

Dimensions:

ENC-HUM-L

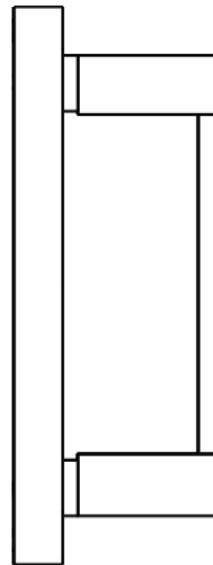
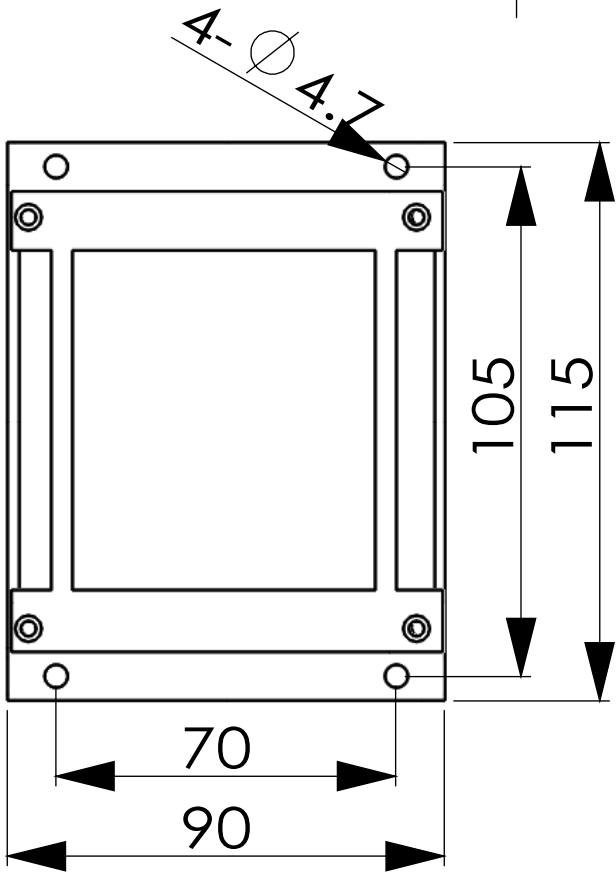
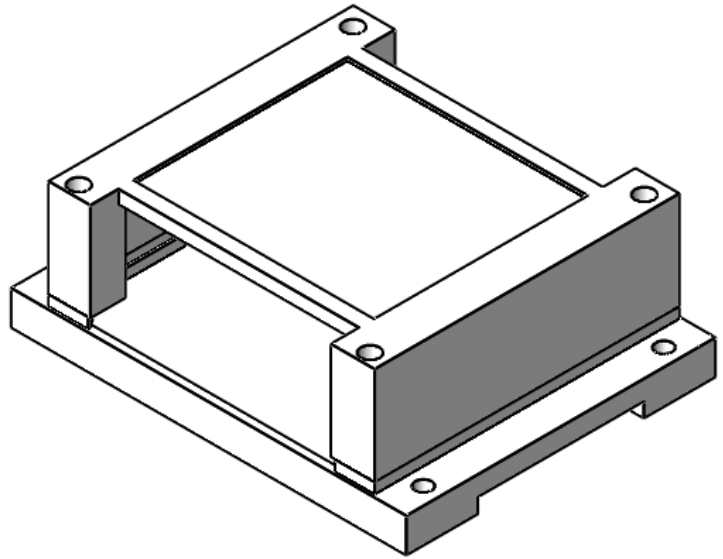
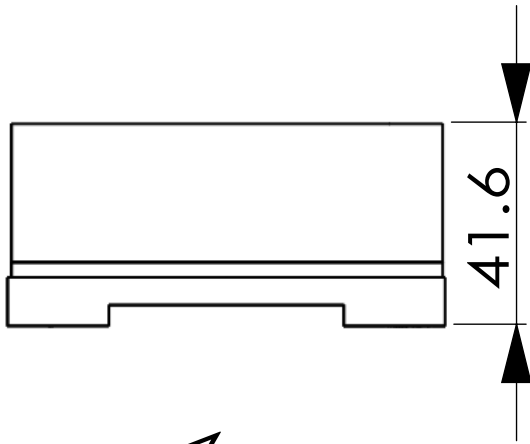
Unit:mm



ENC-T3



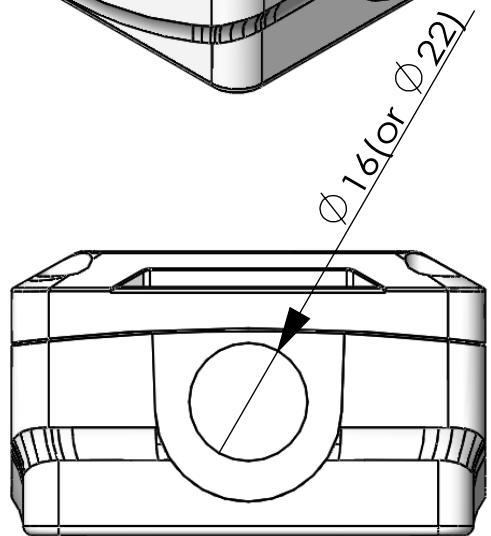
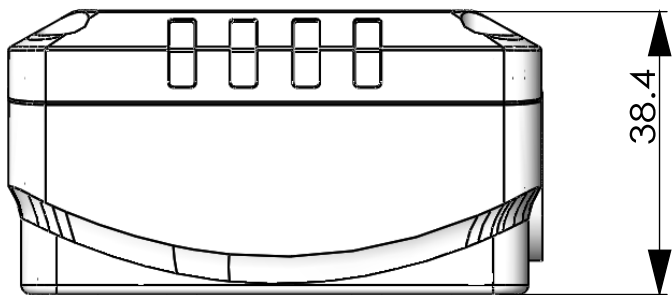
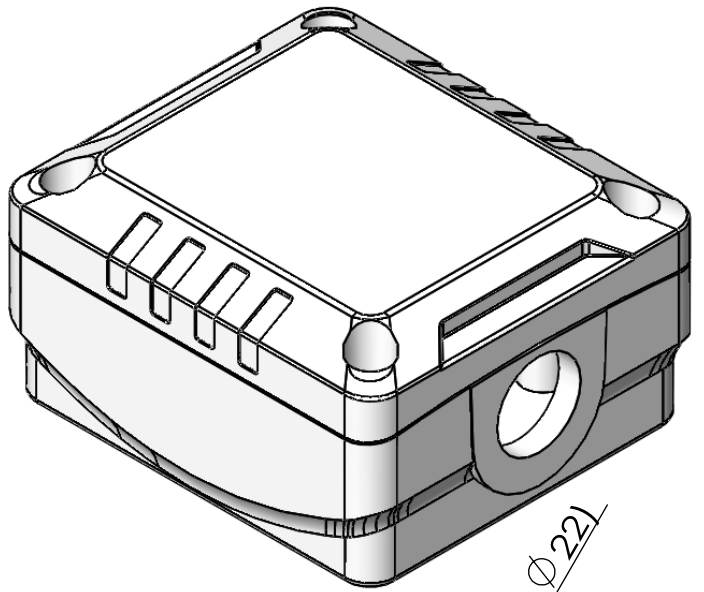
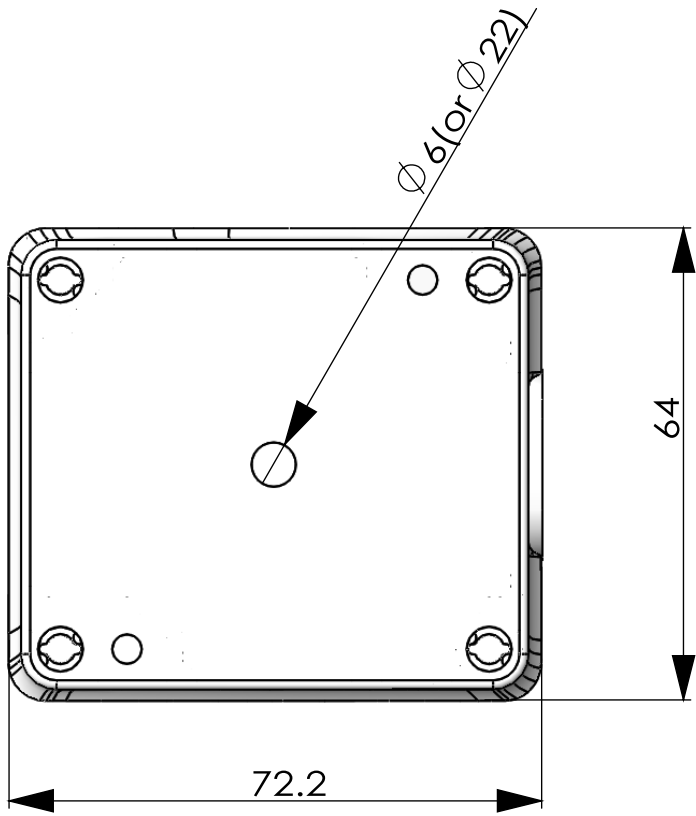
Unit:mm



ENC-DTS

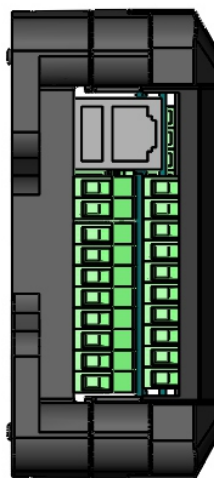
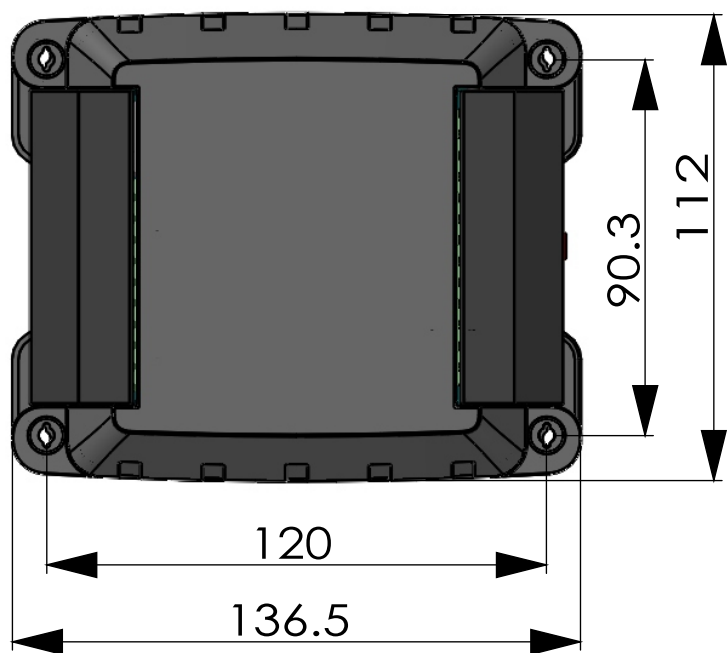
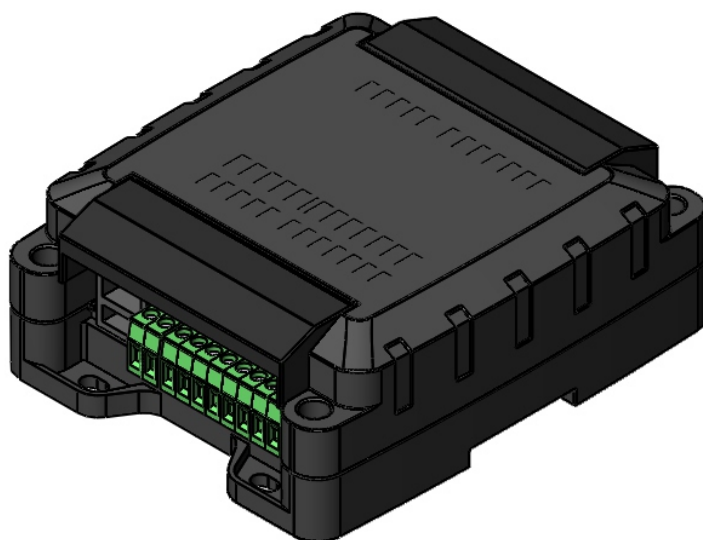
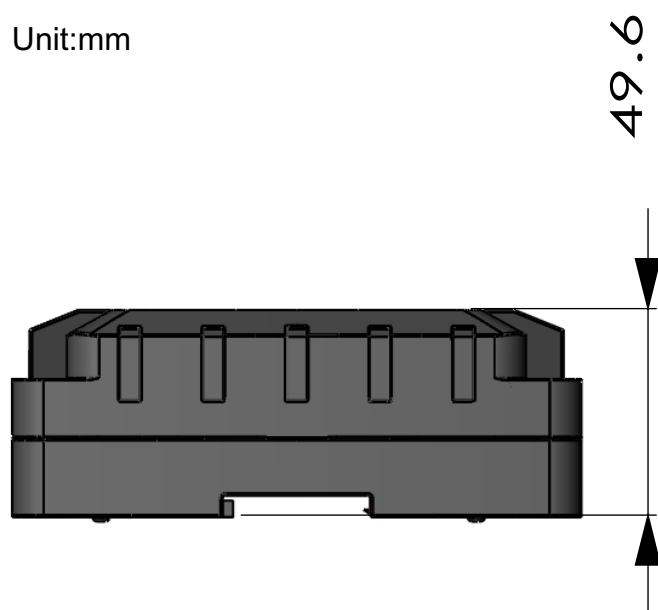


Unit:mm



ENC-T3-TB

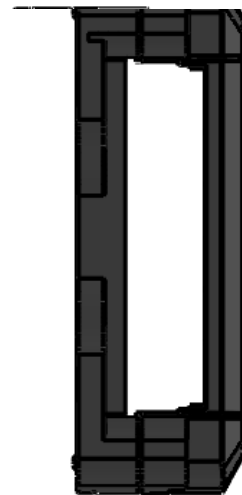
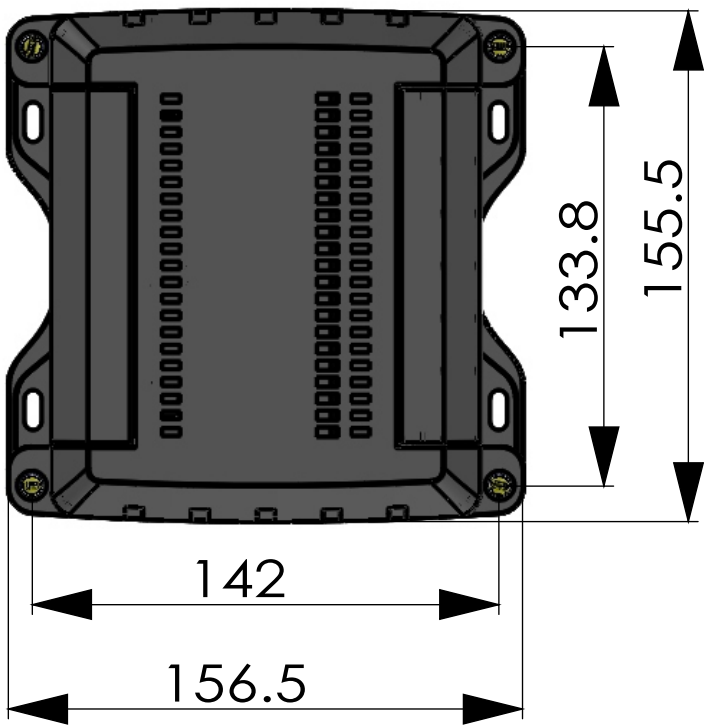
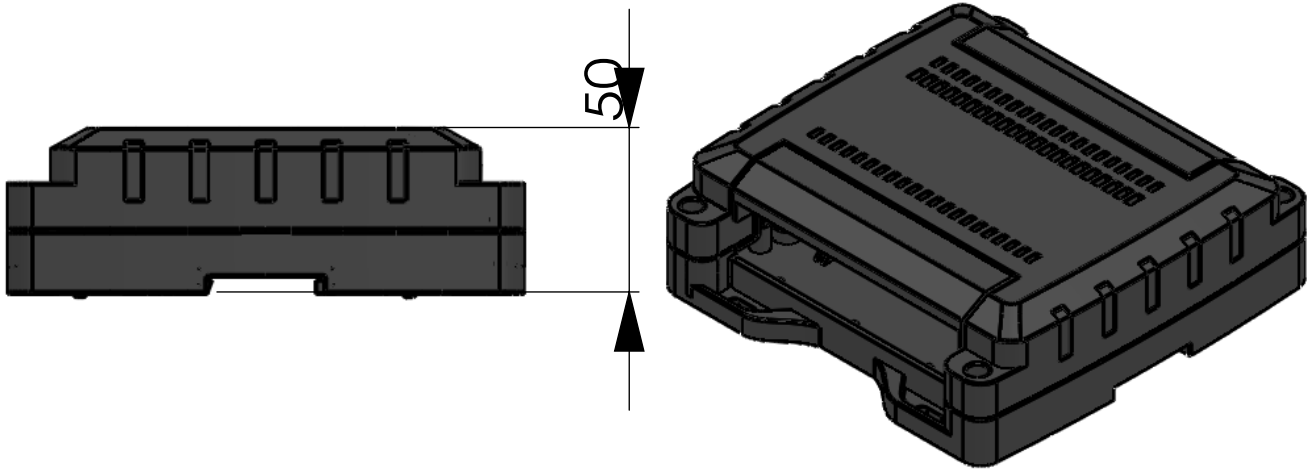
Unit:mm



ENC-T3-LB

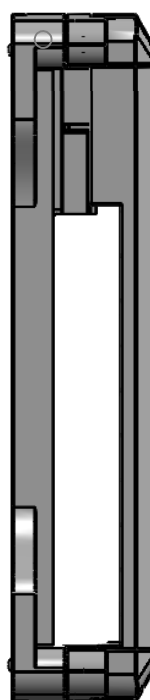
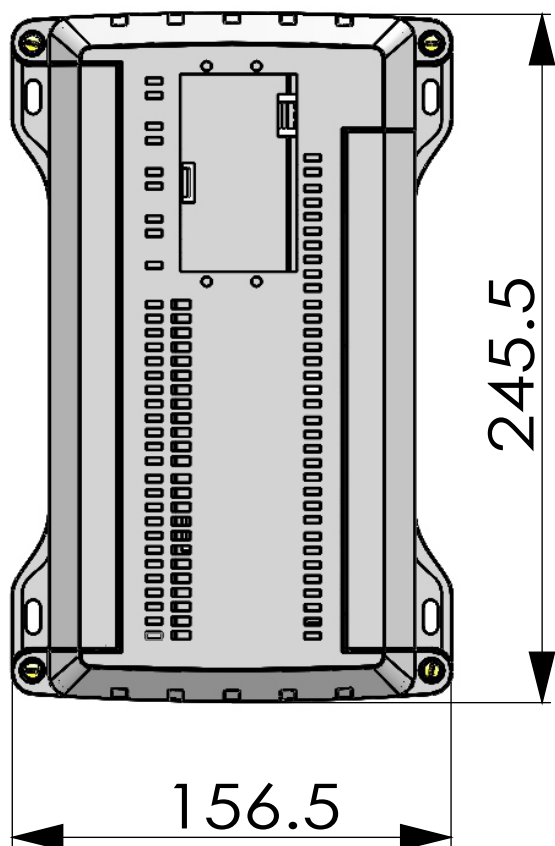
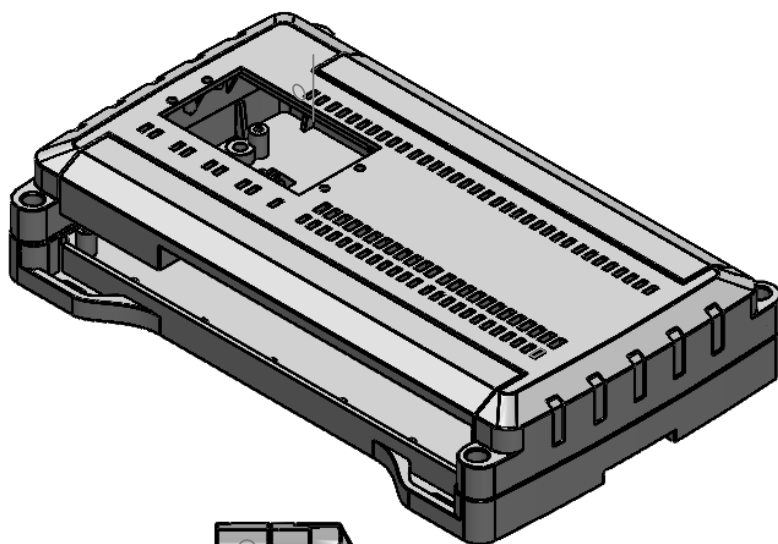
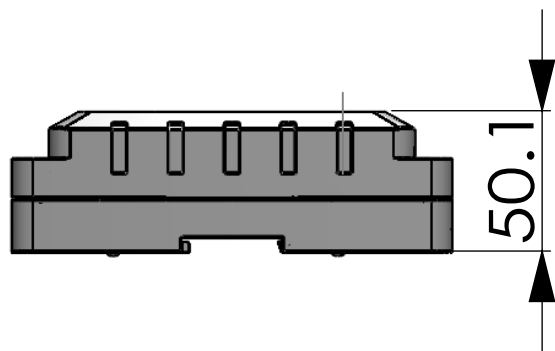


Unit:mm



ENC-T3-BB

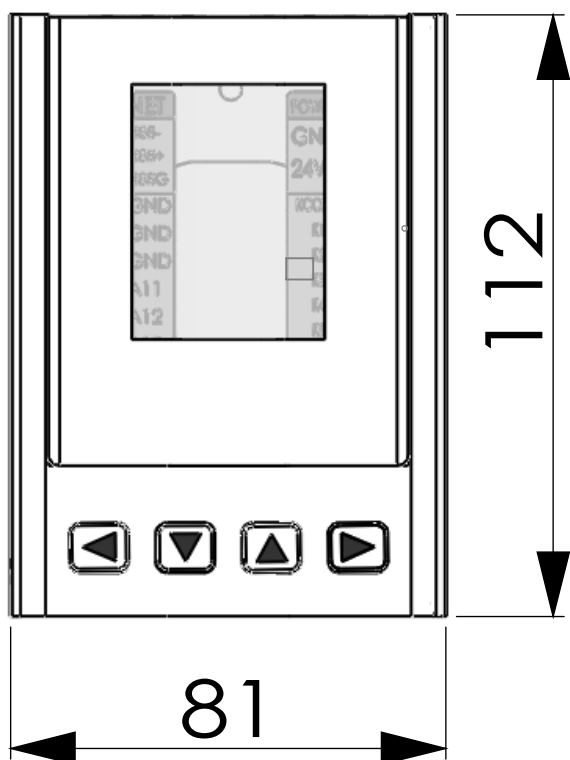
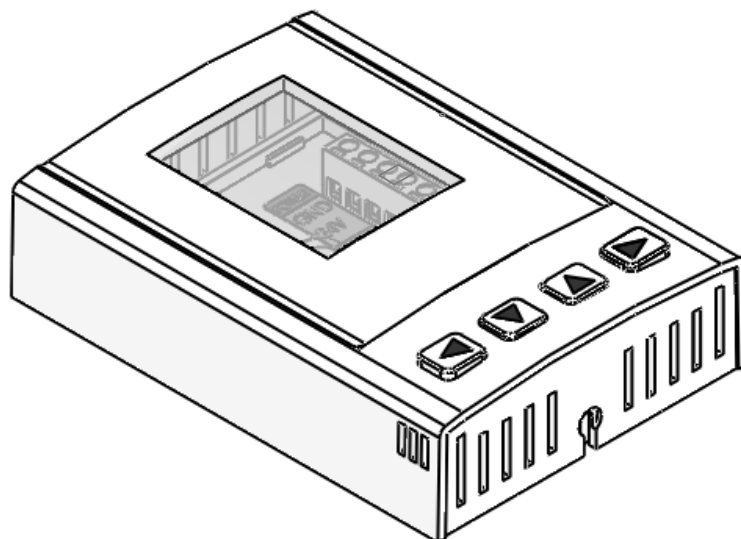
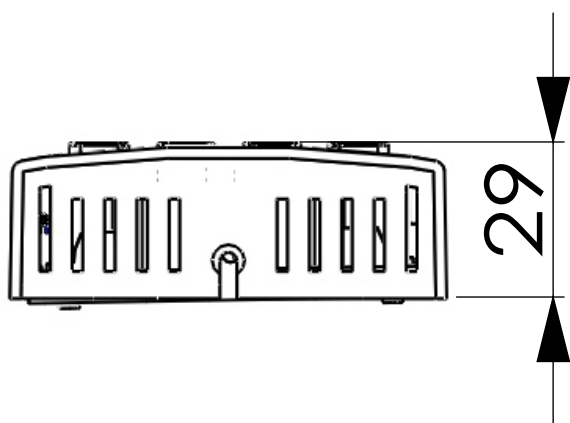
Unit:mm



ENC-Tstat8

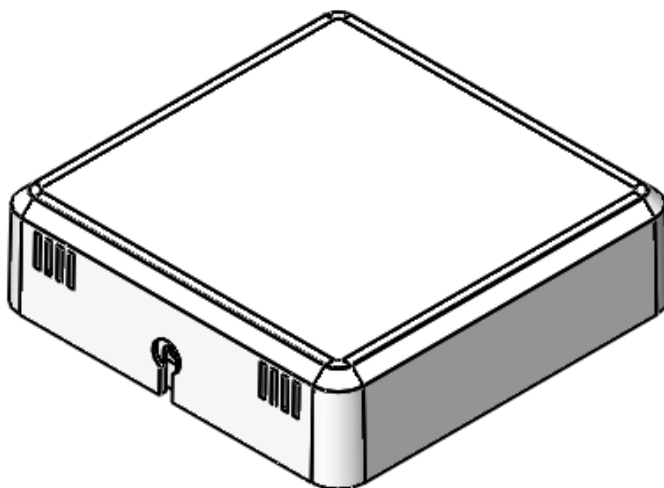
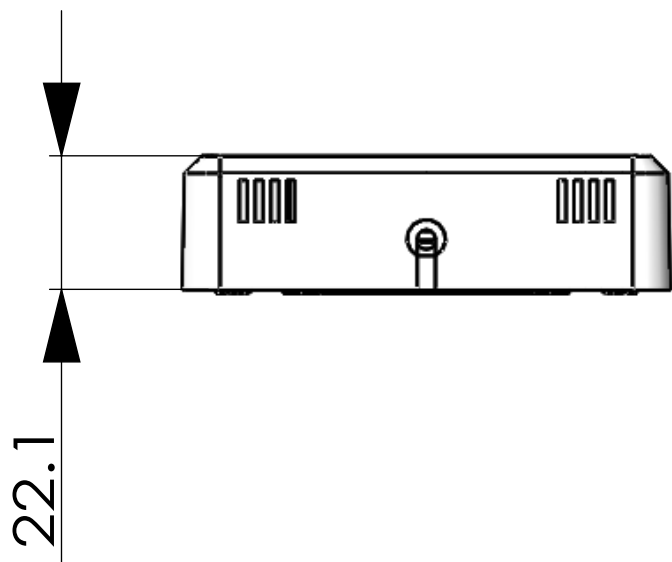
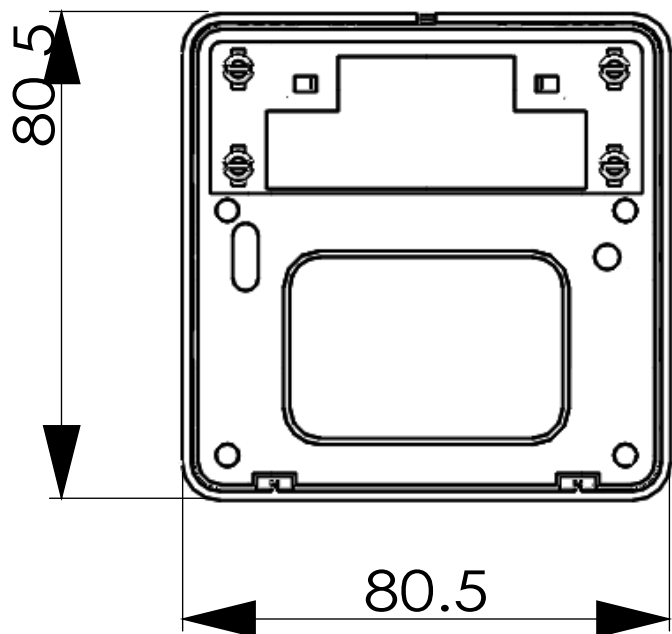


Unit:mm



ENC-Node

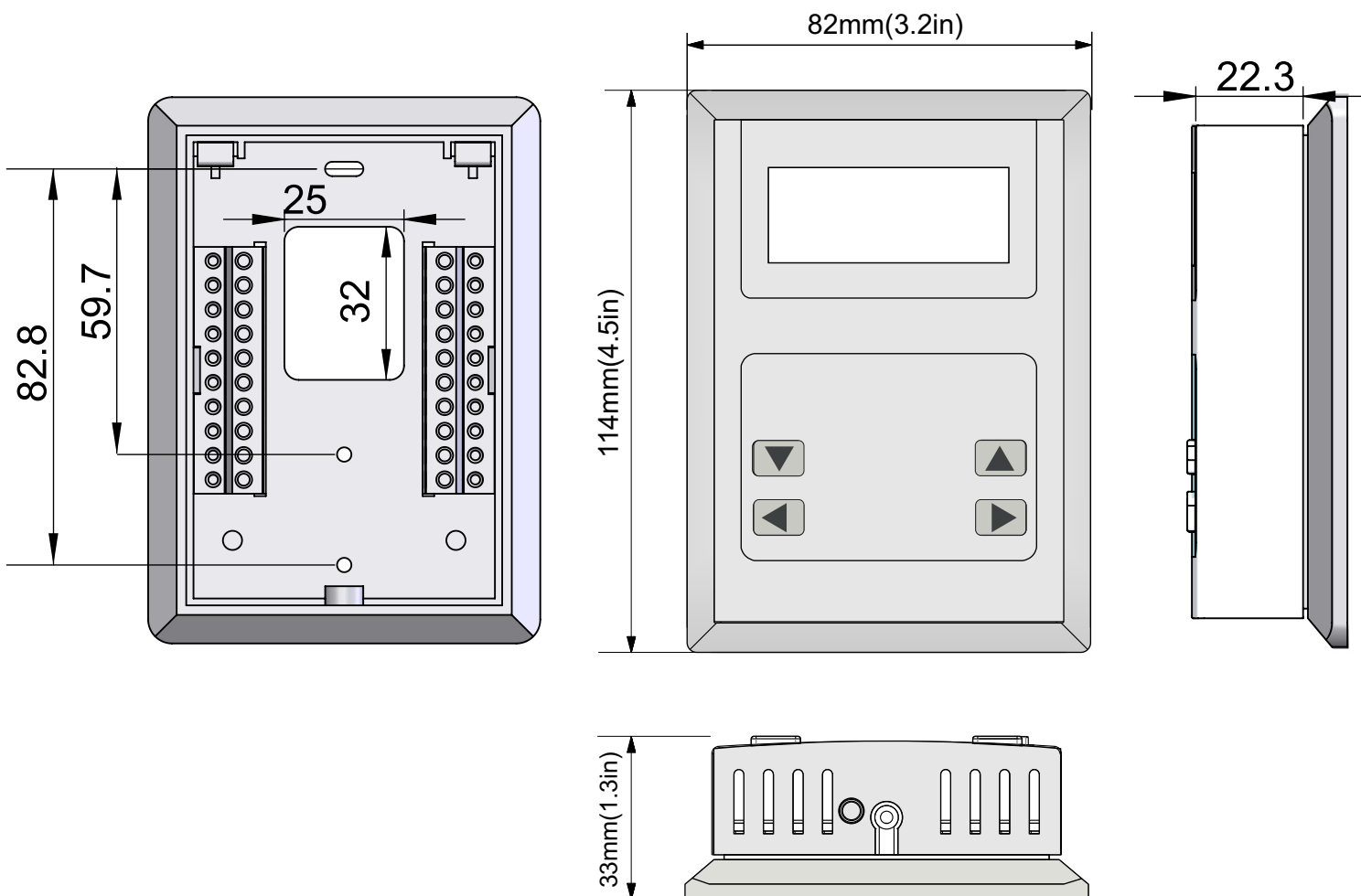
Unit:mm



ENC-AQ

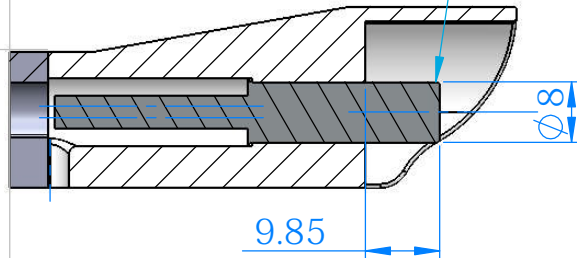
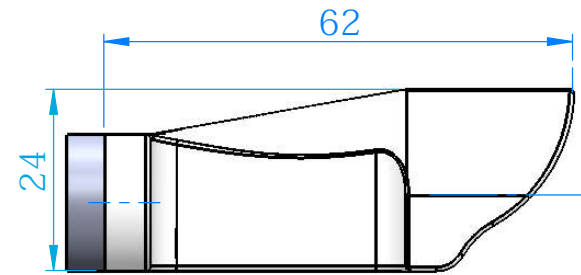
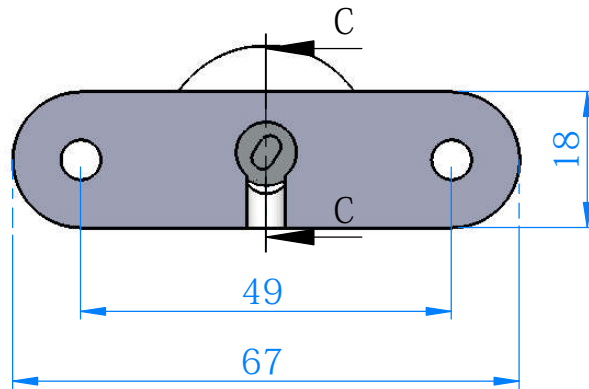
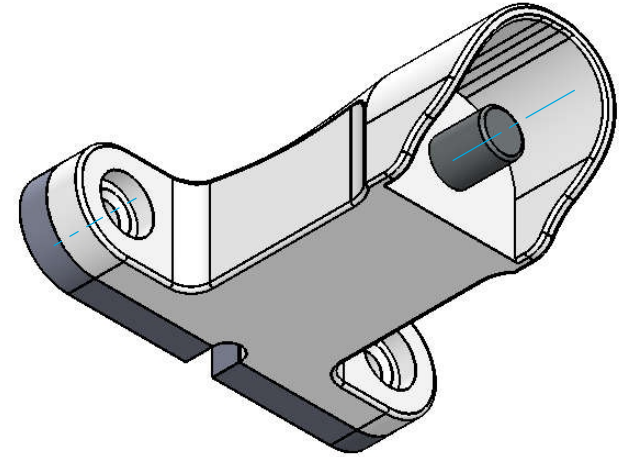
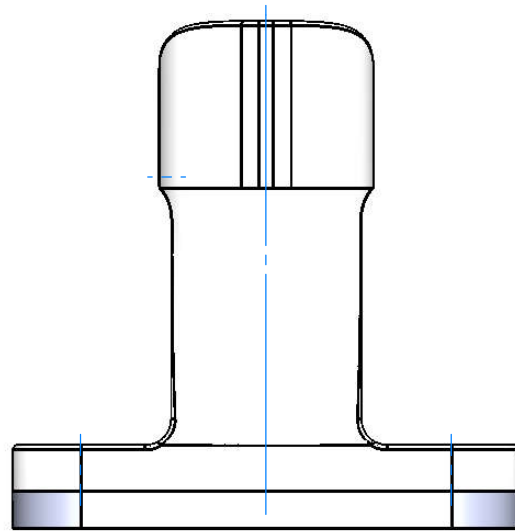


Unit:mm



ENC-OAT

8mm Temp Probe



SECTION C-C

UNLESS OTHERWISE SPECIFIED:
DIMENSIONS ARE IN MILLIMETERS
SURFACE FINISH:
TOLERANCES:
LINEAR:
ANGULAR:

FINISH:

DEBUR AND
BREAK SHARP
EDGES

DO NOT SCALE DRAWING

REVISION:



	NAME	SIGNATURE	DATE
DRAWN	Kevin		MM/DD/YY
CHK'D	Kevin		
APPV'D			
MFG			
QA			

TITLE:

MATERIAL:

A4

DWG NO.

Assem1

PART REV

2D REV

X

X

WEIGHT:

SCALE:1:1

SHEET 1 OF 2

PROJECTION



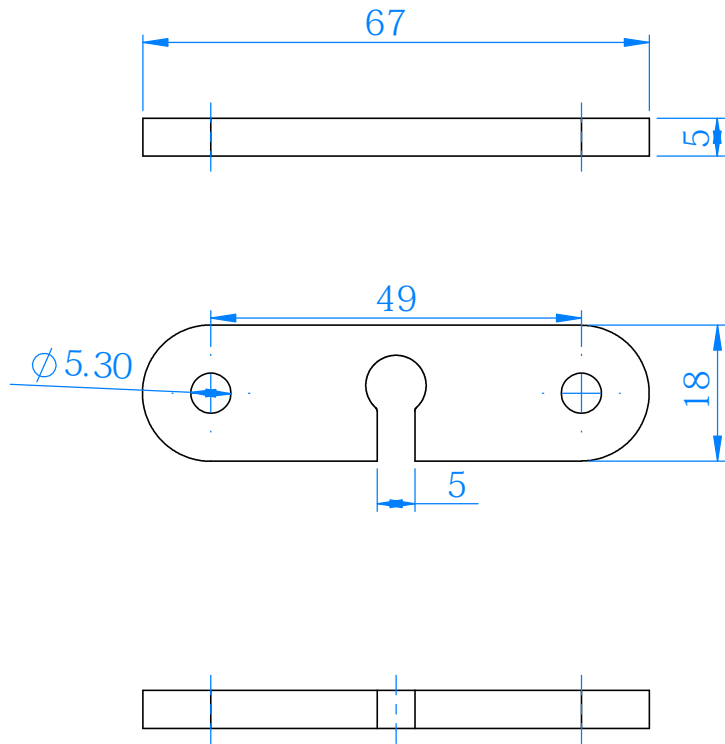
1 2 3 4 5 6

A

B

C

D



3M-9080 Glue
on single side

UNLESS OTHERWISE SPECIFIED: DIMENSIONS ARE IN MILLIMETERS SURFACE FINISH: TOLERANCES: LINEAR: ANGULAR:		FINISH:		DEBUR AND BREAK SHARP EDGES	
	NAME	SIGNATURE	DATE		
DRAWN	Kevin		Oct./30/13		
CHK'D	Kevin				
APPV'D					
MFG					
QA					
				MATERIAL:	high density EVA 38 degree
				WEIGHT:	

DO NOT SCALE DRAWING		REVISION:	
TITLE: Outdoor sensor			
	DWG NO.	PART REV	2D REV
A4	EVA foam	1	1
SCALE:1:1	SHEET 2 OF 2	PROJECTION	

1 2

ENC-RTS3

