

Multi Meter

Descriptions

A multifunctional meter is a portable instrument used to measure voltage, current, resistance, and other electrical parameters. It is widely used in electronic, electrical and industrial fields

Features

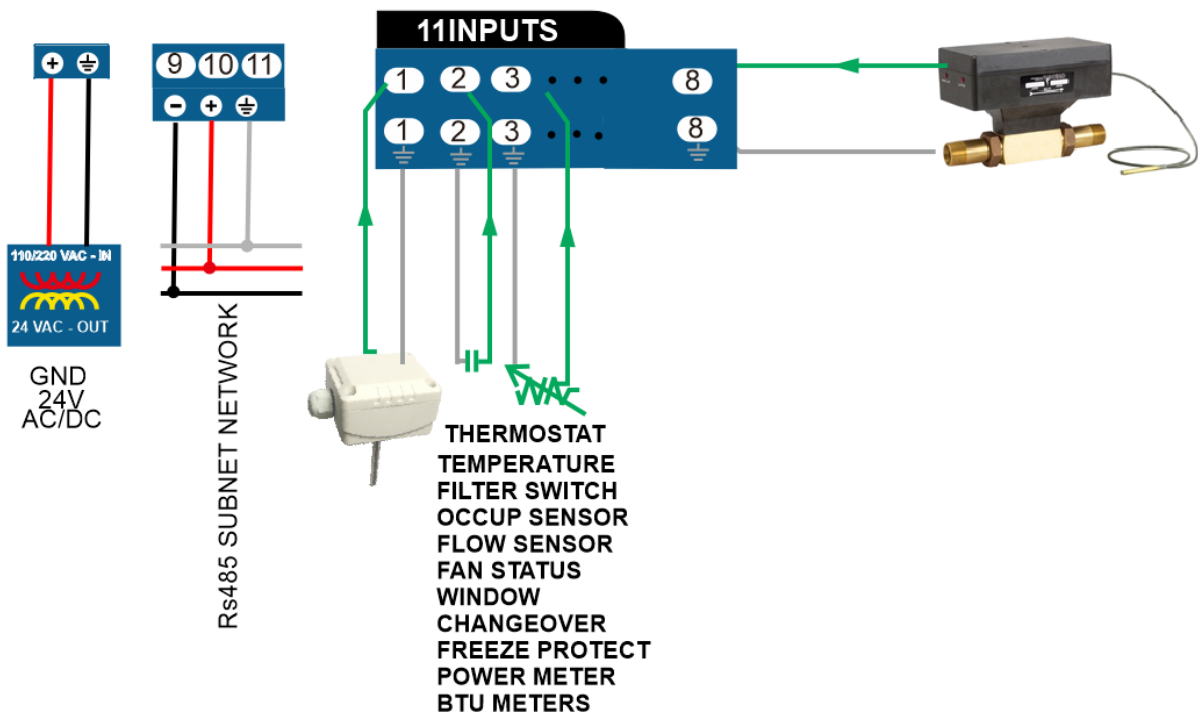
- multichannel
- Read data directly with PC
- Supports ModBus TCP/IP & BACnet IP protocol over WIFI



Specifications

Voltage measurement	DC voltage (DCV) and AC voltage (ACV) can be measured
Current measurement	Direct current (DCA) and alternating current (ACA) can be measured.
Resistance measurement	The resistance value can be measured
Diode test	The forward voltage drop of the diode can be tested
On-off test	The on-off condition of the circuit can be tested, and the buzzer will make a sound
Capacitance measurement	Capacitance value can be measured
Frequency measurement	The frequency of the signal can be measured
Wifi	2.4G , 802.11 b/g/n

Wiring Diagram



Dimensions

