

Air Differential Pressure Switches with on/off Output

Descriptions

- On/off output
- Electrical rating 250 VAC
- Switching pressure easily adjusted with a scaled adjustment knob
- Static, over, underpressure and vacuum

Ordering

Type no.	Adjustment range	Switching differential
PSN 20-200A	20-200Pa	10Pa
PSN 30-300A	30-300Pa	10Pa
PSN 40-400A	40-400Pa	20Pa

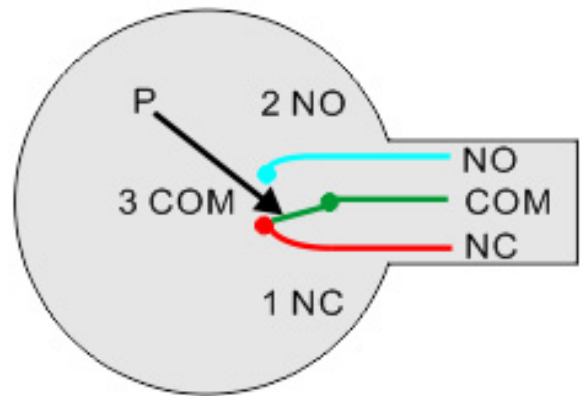
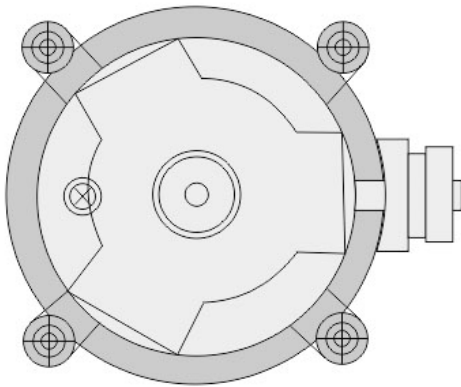
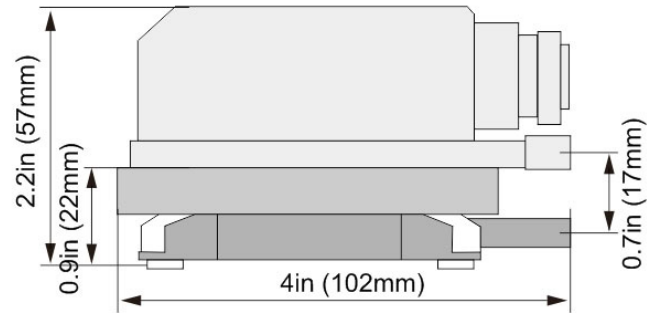
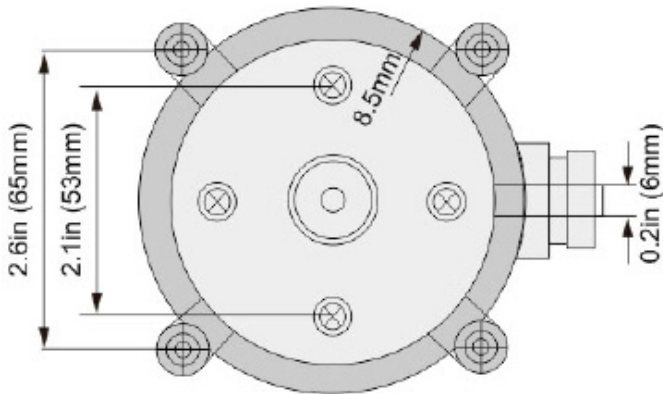


Specifications

Output	on/off
Max. operating pressure	5 kPa
Medium	Air, non-combustible and non-aggressive gases
Operating temp. range	- 40°C to +85°C
Pressure connections	2 plastic pipe connection pieces (P1 and P2) external diameter 6.0 mm: P1 for connection to higher pressure (marked +) P2 for connection to lower pressure (marked -)
Mounting position	Diaphragm in any vertical plane
Contact arrangement	SPDT
Tolerances	15%
Weight	152g for the switch only; 260g for switch with duct fixing kit packed into a carton
Electrical rating	Resistance: initial < 400 milliohms Current: 1.5 A (0.4 A) / 250 V
Protection	IP 54
Approvals	CE approved

Air Differential Pressure Switches with on/off Output

Dimensions & Wiring Diagram



Packaging & Duct Mounting Kit



All components are packaged in a nice plain white box for private labelling.



The duct mounting kit includes everything you need: 2 static pressure takeoff tubes made from sturdy flame retardant ABS, 2 meters of clear pvc tubing and 4 screws.