

## Descriptions

The AO2DO relay module converts the analog outputs of the T3 controller series into a binary dry contact output. The relay contacts are intended for pilot duty only and are rated at 0.5A/125VAC max. The module comes in strips of 12 relays to mate up directly on the T3 controller with the terminal spacing directly matching the original AO output terminals. 3 relays per module, easily snap down to smaller sizes in 3 relay increments.



## Features

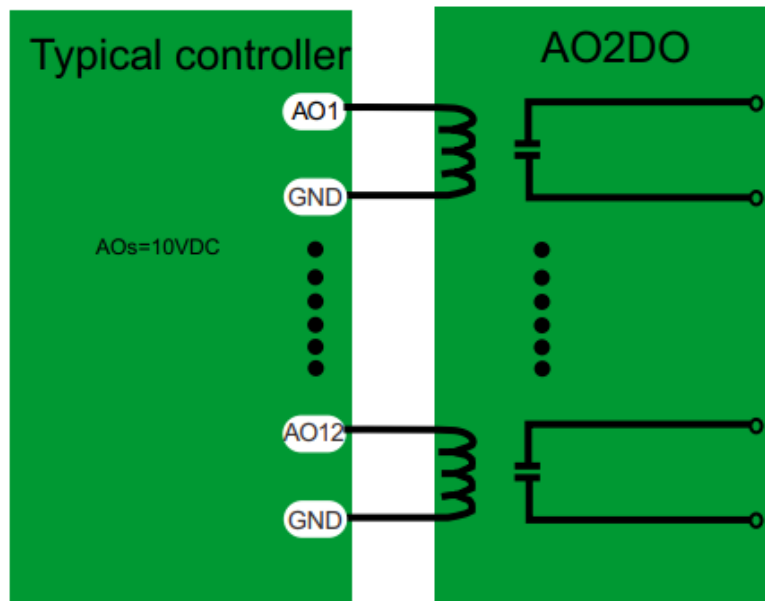
- Low coil power consumption.
- High sensitivity.
- Small size, light weight.
- PC board mounting.

Suitable for automation facilities, telecommunication equipment, wireless radio remote control, sound control toys application etc.

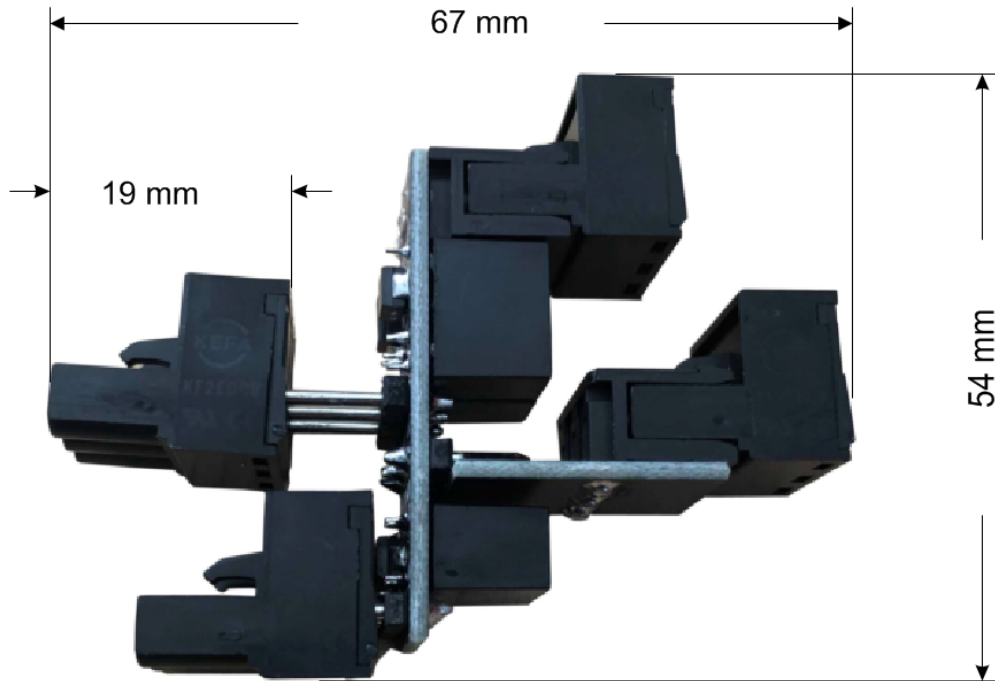
## Specifications

Contact Arrangement	1C SPDT(B-M)
Contact Material	Ag (Au clad ) AgNi(Au clad)
Contact Rating (resistive)	0.5A/125VAC, 1A/24VDC
Max. Switching Power	30W 62.5VA
Max. Switching Voltage	60VDC 125VAC MAX.Switching Current:1A
Contact Resistance or Voltage drop	$\leq 100m\Omega$

## Wiring Diagram



## Dimension



## T3000 Connection Diagram

